

## 1. FEATURES:



- 1.1 RF Transformer For Wideband RF Applications, Wideband 0.05MHz to 200MHz
- 1.2 400 V interwinding isolation, 1/4 Watt RF input power;
- 1.3 250 mA max current rating.
- 1.4 Excellent Insertion Loss.
- 1.5 Peak reflow temperature rating 260°C .
- 1.6 Storage temperature Component: -40° C to +85° C.
- 1.7 Remark: Contact FENFA For Further Requirements.

## 2. ELECTRICAL SPECIFICATIONS @25°C

2.1 电感 OCL: @100KHz 1.0V

$$\text{PIN}(1-3) = 75\mu\text{H MIN}$$

$$\text{PIN}(4-6) = 150\mu\text{H MIN}$$

2.1 圈比: @10KHz 1.0V

$$\text{Pin}(1-3) : \text{Pin}(6-4) : = 1 : 1.41 \pm 2\%$$

2.2 Isolation HI-POT: 400Vrms Min 3mA Max 6Second



2.3 DCR: PIN(1-3) = 200 mΩ MAX

$$\text{PIN}(4-6) = 300 \text{ m}\Omega \text{ MAX}$$

2.4 INSERTION LOSS

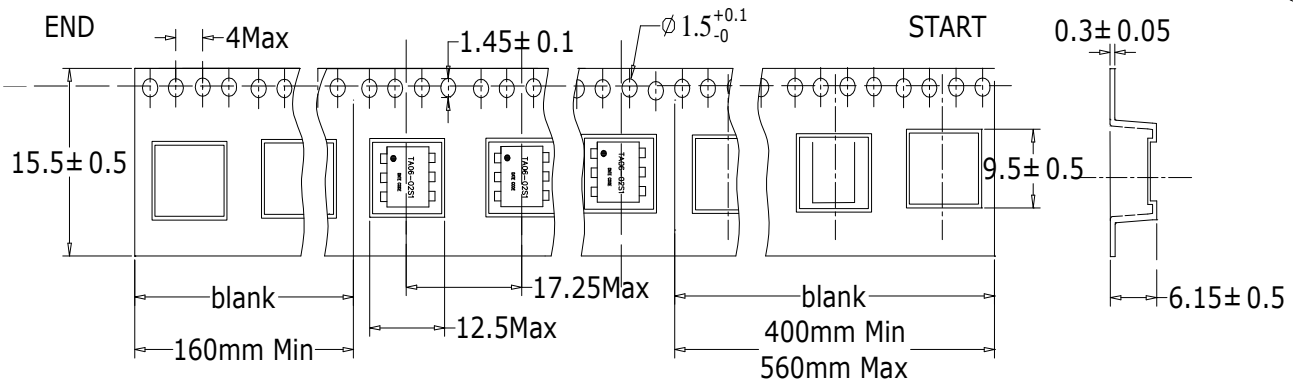
$\Omega$ RATIO	FREQUENCY (MHz)	INSERTION LOSS (-dB)		
		3dB MIN	2dB MIN	1dB MIN
		MHz	MHz	MHz
1	0.05~200	0.05~200	0.06~160	0.1~100

DRAWN BY:	CHECKED BY:	APPROVED BY:	PART NO. :
Tony Li	Roson Huang	Roson Huang	<b>TA06-02S1</b>
	FENFA ELECTRONICS (DONGGUAN) CO., LTD.		REV.: A
			PAGE: 1 OF 4

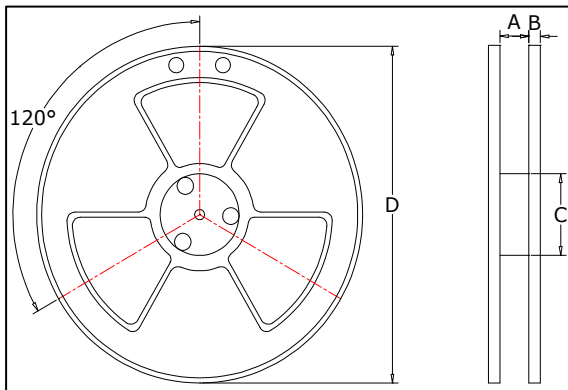
Meas. Item	Electrical character														
	LS(1-3)	LS(4-6)	DCR(1-3)	DCR(4-6)	Turns ratio (Pin(1-3): Pin(6-4)= 1:1.41+/- 2%)	INSERTION LOSS									
Spec.	75 min	150 min	200 max	300 max		Unit	uH	uH	mΩ	mΩ	(-dB)		(-dB)	(-dB)	(-dB)
Test Condition	100KHz 1.0V	100KHz 1.0V	at 25°C	at 25°C	10KHz 1.0V	50KHz	80KHz	120KHz	100MHz	160MHz	200MHz				
1	817	1760	117	169	OK	-0.75/2	-0.74/2	-0.723/2	-0.93/2	-1.66/2	-2.89/2				
2	800	1820	118	172	OK	-0.739/2	-0.731/2	-0.714/2	-0.729/2	-1.59/2	-2.83/2				
3	820	1740	120	172	OK	-0.76/2	-0.74/2	-0.723/2	-0.93/2	-1.68/2	-2.96/2				
4	803	1760	118	176	OK	-0.769/2	-0.75/2	-0.73/2	-1.04/2	-1.80/2	-3.18/2				
5	813	1730	116	171	OK	-0.714/2	-0.711/2	-0.69/2	-0.89/2	-1.62/2	-2.83/2				
6	767	1700	118	170	OK	-0.71/2	-0.71/2	-0.71/2	-0.70/2	-1.80/2	-3.20/2				
7	811	1720	119	172	OK	-0.75/2	-0.74/2	-0.72/2	-0.96/2	-1.83/2	-3.30/2				
8	850	1750	121	176	OK	-0.75/2	-0.74/2	-0.72/2	-0.92/2	-1.82/2	-3.20/2				
9	800	1730	110	172	OK	-0.72/2	-0.71/2	-0.70/2	-0.92/2	-1.78/2	-3.00/2				
10	822	1800	122	175	OK	-0.70/2	-0.70/2	-0.68/2	-0.93/2	-1.76/2	-3.20/2				
- X	810	1751	118	173											
max	850	1820	122	176											
min	767	1700	110	169											
R	83	120	12	7											
DRAWN BY:			CHECKED BY:			APPROVED BY:			PART NO. :						
Tony Li			Roson Huang			Roson Huang			TA06-02S1						
			FENFA ELECTRONICS (DONGGUAN) CO., LTD.						REV. : A						
									PAGE: 2 OF4						



# 1. DIMENSION FOR CARRIER TAPE & REEL ((单位 : mm))



Material: Black Anti-Static Polystyrene.

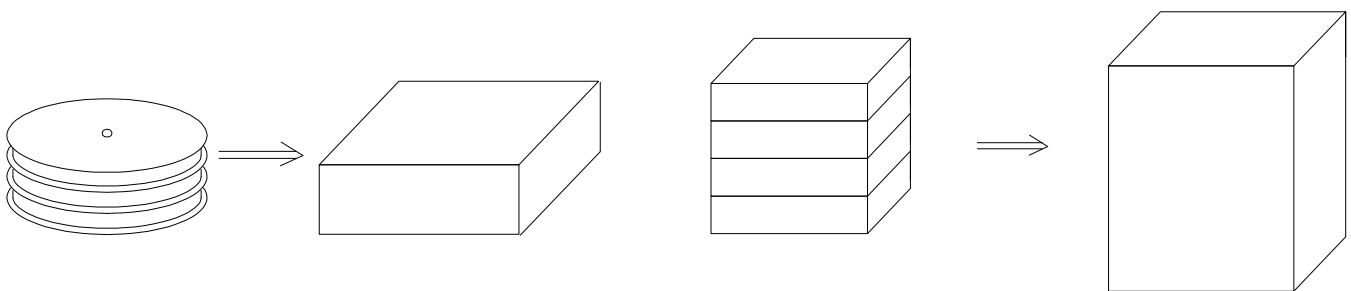


SPEC	8
2009-11-13	16
DIM A+/-0.1	2.3
DIM A+/-0.1	100
DIM A+/-0.1	

## 2. PACKING QUANTITY:

QUANTITY	P/N
500PCS/Reel	Carrier:
3Reels/Middle Carton	Middle Carton:
4 Middle Cartons/Big Carton	Big Carton:
6000PCS/ Big Carton	-----

## 3. DRAWING:



DRAWN BY:	CHECKED BY:	APPROVED BY:	PART NO. :
Tony Li	Roson Huang	Roson Huang	<b>TA06-02S1</b>
	<b>FENFA ELECTRONICS (DONGGUAN) CO., LTD.</b>		REV.: A
			PAGE: 4 OF 4