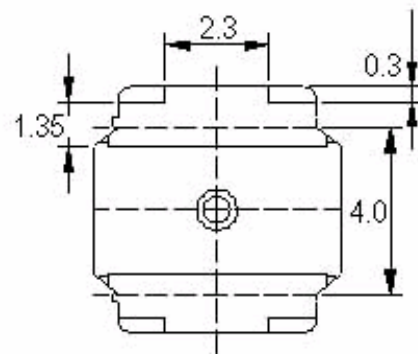
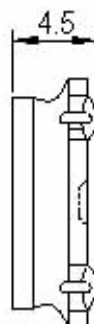
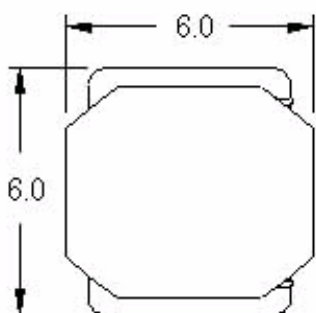
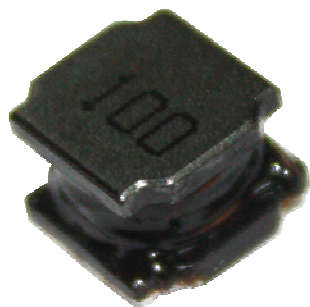


## SMD Power Inductors SFE6045 Series

SFE6045 Series ,Small and very Thin inductor,It corresponds to High current,Simple and Magnetic shielded construction,Super structure of Impact-resistant fall.

Mainly used For small DC/DC converter (cellular phone ,HDD, DVC, DSC,PDA,LCD display rtc ).



PART NO	L(uH)	DCR max (mΩ)	IDC max (A)	TEST FREQ. (MHz)
SFE6045-1R0N	1.0	14	8.5	110
SFE6045-1R3N	1.3	16	8.0	95
SFE6045-1R8N	1.8	18	7.0	80
SFE6045-2R3N	2.3	21	6.0	60
SFE6045-3R0N	3.0	24	5.0	45
SFE6045-4R5M	4.5	31	4.0	25
SFE6045-6R3M	6.3	38	3.8	15
SFE6045-100M	10.0	47	3.0	12
SFE6045-150M	15.0	77	2.3	10
SFE6045-220M	22.0	115	1.9	7
SFE6045-330M	33.0	145	1.5	6
SFE6045-470M	47.0	220	1.3	5
SFE6045-680M	68.0	330	1.0	4
SFE6045-101M	100.0	500	0.8	3

1. Inductance tested at 100KHz 0.25Vrms
2. Isat: The value of current indicates that inductance drops 30%(Max) from its initial value
3. Irms: The value of current indicates that the temperature of the coil is increase 40°C (Max)
4. Operating temp range: -40°C-----+85°C
5. Electrical specifications at: 20°C

Packing :  
Reel size: 13.5 mm  
Quantity: 1500 PCS/Reel

Special inquiries besides the above common used types can be met on your requirement.

### FENFA ELECTRONICS LTD.

Address: Rm 621, 6/F., Shing Yip Industrial Building,  
19-21 Shing Yip Street, Kwun Tong, Hong Kong  
Tel: (852) 2372 0880, Fax: (852) 2372 0131  
E-mail: sales@coilsfenfa.com

<http://www.coilsfenfa.com>  
[fenfa@coilsfenfa.com](mailto:fenfa@coilsfenfa.com)

### FENFA ELECTRONICS (DONGGUAN) CO., LTD.

Address: Xiakeng Industrial District, Changping Town,  
Dongguan City, Guangdong, China  
Tel: 86-769-86291668 Fax: 86-769-83999028  
Hot line: 86-769-89112128 E-mail: fenfa@coilsfenfa.com