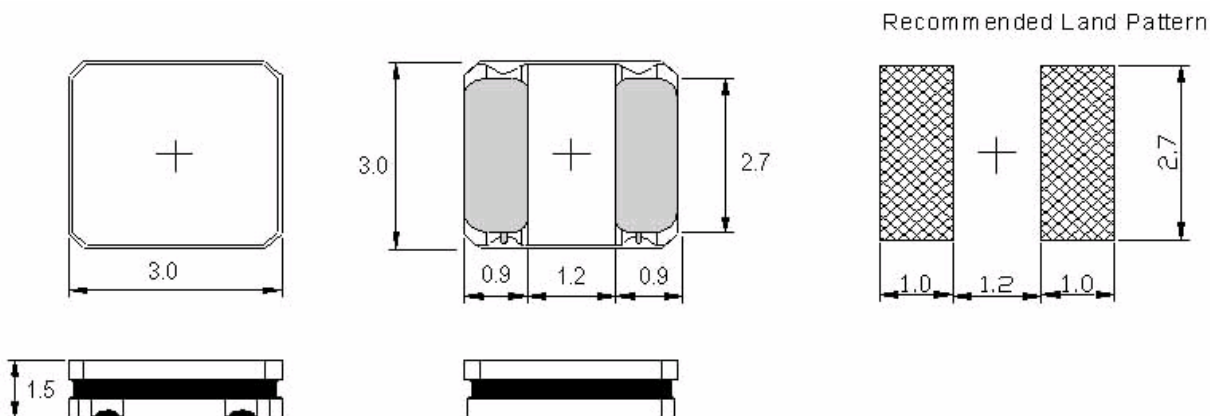
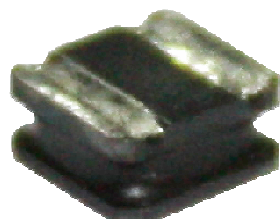


SMD Power Inductors SFE3015 Series

SFE3015 Series ,Small and very Thin inductor,It corresponds to High current,Simple and Magnetic shielded construction,Super structure of Impact-resistant fall.

Mainly used For small DC/DC converter (cellular phone ,HDD, DVC, DSC,PDA,LCD display rtc).



PART NO	L(uH)	DCR max (mΩ)	IDC max (A)	TEST FREQ. (MHz)
SFE3015-1R0N	1.0	30	2.1	100
SFE3015-1R5N	1.5	40	1.8	87
SFE3015-2R2M	2.2	60	1.5	64
SFE3015-3R3M	3.3	80	1.2	49
SFE3015-4R7M	4.7	120	1.0	40
SFE3015-6R8M	6.8	160	0.9	36
SFE3015-100M	10.0	230	0.7	28
SFE3015-150M	15.0	360	0.6	23
SFE3015-220M	22.0	520	0.5	20
SFE3015-330M	33.0	840	0.4	18
SFE3015-470M	47.0	1340	0.3	17
SFE3015-101M	100.0	2920	0.3	11

1. Inductance tested at 100KHz 0.25Vrms
2. Isat: The value of current indicates that inductance drops 30%(Max) from its initial value
3. Irms: The value of current indicates that the temperature of the coil is increase 40°C (Max)
4. Operating temp range: -40°C----+85°C
5. Electrical specifications at: 20°C

Packing :
Reel size: 10 mm
Quantity: 2000PCS/Reel

Special inquiries besides the above common used types can be met on your requirement.

FENFA ELECTRONICS LTD.

Address: Rm 621, 6/F., Shing Yip Industrial Building,
19-21 Shing Yip Street, Kwun Tong, Hong Kong
Tel: (852) 2372 0880, Fax: (852) 2372 0131
E-mail: sales@coilsfenfa.com

<http://www.coilsfenfa.com>
fenfa@coilsfenfa.com

FENFA ELECTRONICS (DONGGUAN) CO., LTD.

Address: Xiakeng Industrial District, Changping Town,
Dongguan City, Guangdong, China
Tel: 86-769-86291668 Fax: 86-769-83999028
Hot line: 86-769-89112128 E-mail: fenfa@coilsfenfa.com