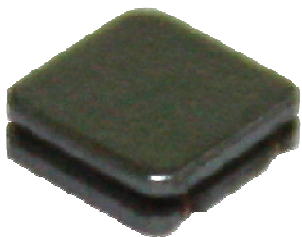
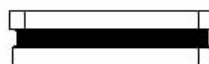
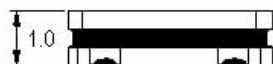
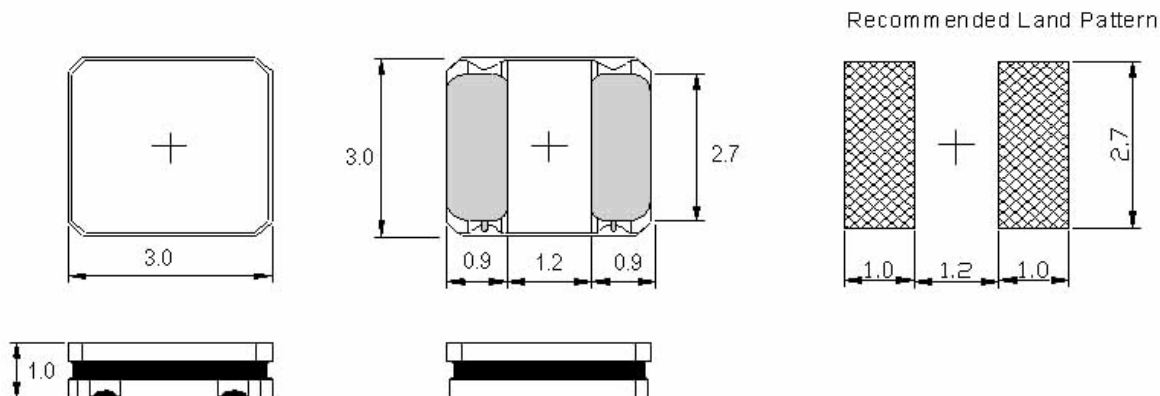


## SMD Power Inductors SFE3010 Series



SFE3010 Series ,Small and very Thin inductor,It corresponds to High current,Simple and Magnetic shielded construction,Super structure of Impact-resistant fall.

Mainly used For small DC/DC converter (cellular phone ,HDD, DVC, DSC,PDA,LCD display rtc ).



1. Inductance tested at 100KHz 0.25Vrms
2. Isat: The value of current indicates that inductance drops 30%(Max) from its initial value
3. Irms: The value of current indicates that the temperature of the coil is increase 40°C (Max)
4. Operating temp range: -40°C ---- +85°C
5. Electrical specifications at: 20°C

Packing :  
Reel size: 10 mm  
Quantity: 2000PCS/Reel

PART NO	L(uH)	DCR max (mΩ)	IDC max (A)	TEST FREQ. (MHz)
SFE3010-1R0N	1.0	65	1.3	126
SFE3010-1R5N	1.5	80	1.2	98
SFE3010-2R2M	2.2	95	1.1	82
SFE3010-3R3M	3.3	140	0.9	63
SFE3010-4R7M	4.7	190	0.8	56
SFE3010-6R8M	6.8	300	0.6	46
SFE3010-100M	10.0	450	0.5	35
SFE3010-150M	15.0	740	0.4	30
SFE3010-220M	22.0	1030	0.4	25
SFE3010-330M	33.0	1550	0.3	20
SFE3010-470M	47.0	2050	0.2	17

Special inquiries besides the above common used types can be met on your requirement.

### FENFA ELECTRONICS LTD.

Address: Rm 621, 6/F., Shing Yip Industrial Building,  
19-21 Shing Yip Street, Kwun Tong, Hong Kong  
Tel: (852) 2372 0880, Fax: (852) 2372 0131  
E-mail: sales@coilsfenfa.com

<http://www.coilsfenfa.com>  
[fenfa@coilsfenfa.com](mailto:fenfa@coilsfenfa.com)

### FENFA ELECTRONICS (DONGGUAN) CO., LTD.

Address: Xiakeng Industrial District, Changping Town,  
Dongguan City, Guangdong, China  
Tel: 86-769-86291668 Fax: 86-769-83999028  
Hot line: 86-769-89112128 E-mail: fenfa@coilsfenfa.com