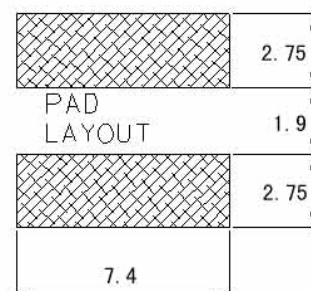
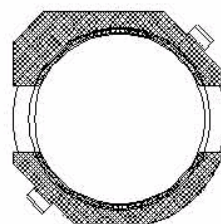
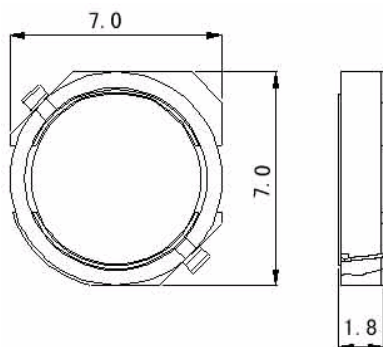
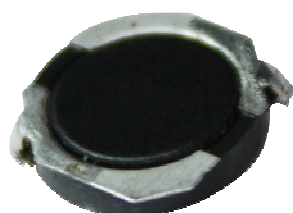


SMD Power Inductors SFD7D18 Series

SFD7D18 Series ,To be high saturation for surface mounting. Surface mounts inductor with high current rating.Low resistance to keep power loss minimum.Packed in embossed carrier tape and can be used by automatic mounting machine.

Mainly used by LCD driving circuits(DC-DC converters)such as notebook-sized personal computers,portable terminal equipment,game units.



| PART NO | L(uH) | DCR max (mΩ) | ISAT max (A) | TEST FREQ. (Hz) |
|--------------|-------|--------------|--------------|-----------------|
| SFD7D18-2R2_ | 2.2 | 60 | 3.8 | 100K/1V |
| SFD7D18-3R3_ | 3.3 | 67 | 3.2 | 100K/1V |
| SFD7D18-4R7_ | 4.7 | 96 | 2.8 | 100K/1V |
| SFD7D18-5R6_ | 5.6 | 102 | 2.6 | 100K/1V |
| SFD7D18-6R8_ | 6.8 | 142 | 2.2 | 100K/1V |
| SFD7D18-8R0_ | 8.0 | 146 | 2 | 100K/1V |
| SFD7D18-100_ | 10.0 | 148 | 1.7 | 100K/1V |
| SFD7D18-120_ | 12.0 | 221 | 1.6 | 100K/1V |
| SFD7D18-150_ | 15.0 | 249 | 1.5 | 100K/1V |
| SFD7D18-180_ | 18.0 | 350 | 1.4 | 100K/1V |
| SFD7D18-220_ | 22.0 | 400 | 1.3 | 100K/1V |

1. Inductance tested at 0.25Vrms
2. Isat: The value of current indicates that inductance drops 35%(Max) from its initial value
3. Irms: The value of current indicates that the temperature of the coil is increase 40°C (Max)
4. Operating temp range: -40°C ---- +85°C
5. Electrical specifications at: 20°C

Packing :
Reel size: 16.5 mm
Quantity: 2000PCS/Reel

Special inquiries besides the above common used types can be met on your requirement.

FENFA ELECTRONICS LTD.

Address: Rm 621, 6/F., Shing Yip Industrial Building,
19-21 Shing Yip Street, Kwun Tong, Hong Kong
Tel: (852) 2372 0880, Fax: (852) 2372 0131
E-mail: sales@coilsfenfa.com

<http://www.coilsfenfa.com>
fenfa@coilsfenfa.com

FENFA ELECTRONICS (DONGGUAN) CO., LTD.

Address: Xiakeng Industrial District, Changping Town,
Dongguan City, Guangdong, China
Tel: 86-769-86291668 Fax: 86-769-83999028
Hot line: 86-769-89112128 E-mail: fenfa@coilsfenfa.com