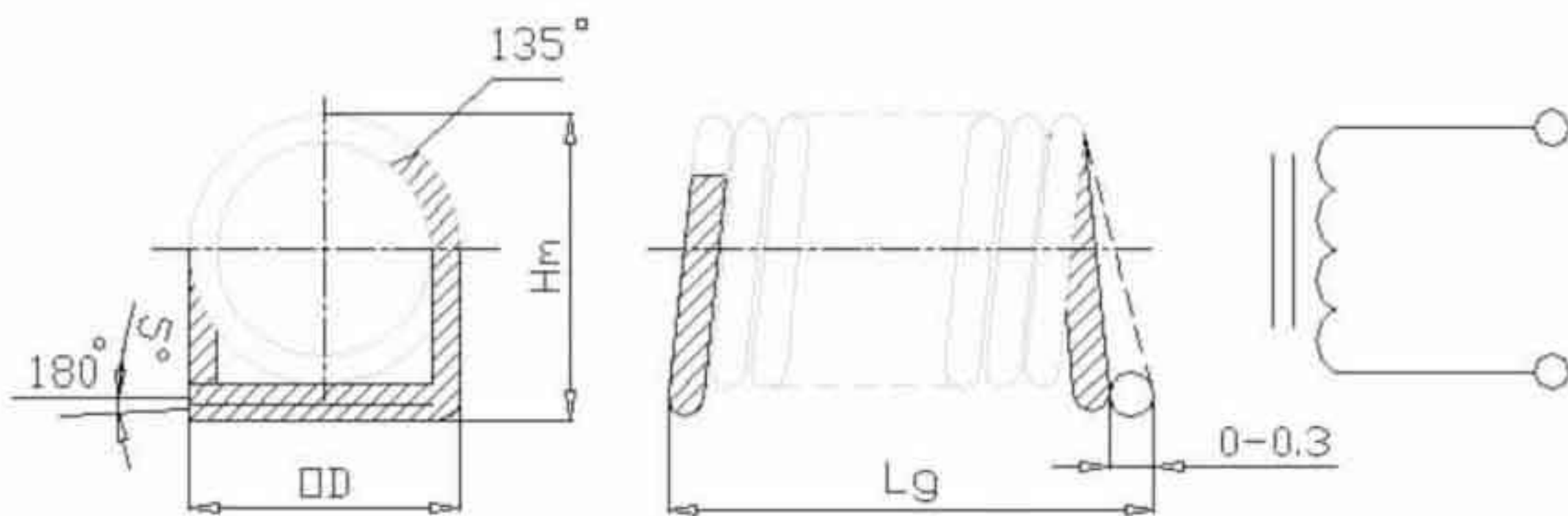




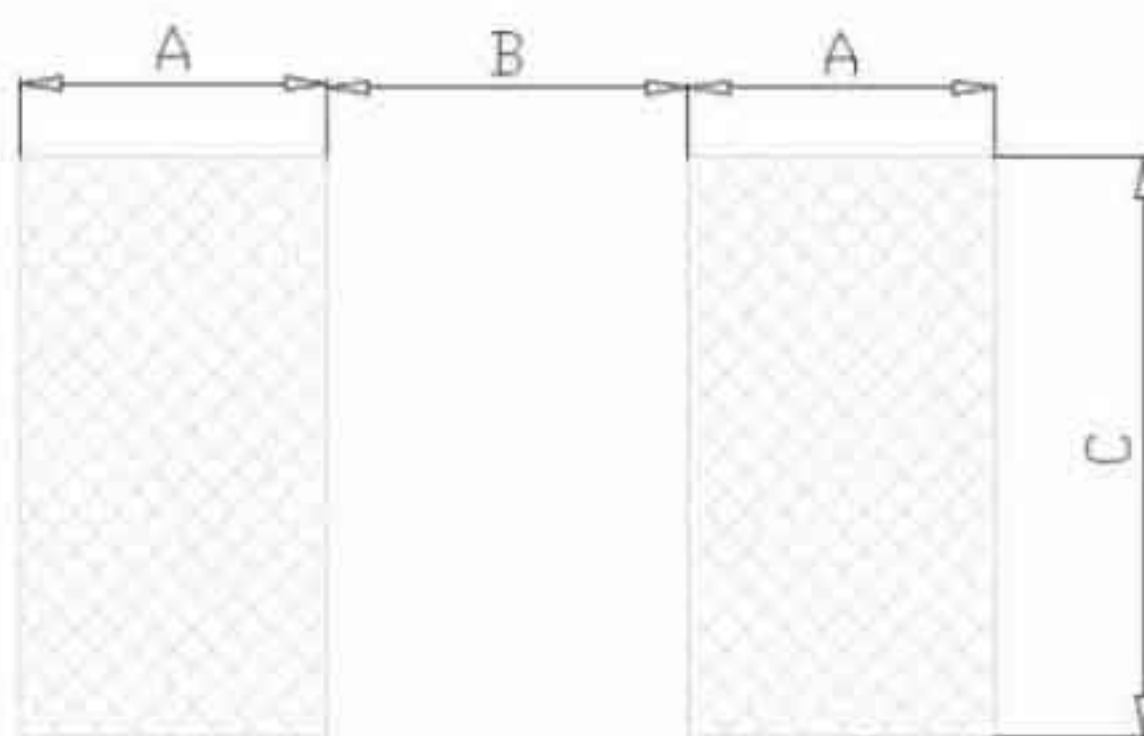
●Part Numbering System(品名规格)

SFAC	0 6 0 3 R	—	3 N 9	—	K	—	R	—	S
1	2		3		4		5		
SERIES NAME	DIMENSIONS		INDUCTANCE		TOLERANCE CODE		PACKING CODE		
					J:±5%,K:±10%,L:±15% M:±20%,P:±25%,N:±30%		R:Tape&Ree (卷装) B:in Bulk(散装)		S:series(系列)
品名	尺寸		电感值		公差		包装		

●DIMENSIONS UNIT:mm



PAD LAYOUT



Type(型式)	A(min)	B(min)	C(min)
SFAC0603	0.64	0.64	1.02
SFAC0805	1.02	0.76	1.78
SFAC1008	1.02	1.27	2.54
SFAC1008F	1.02	1.27	2.54



SFAC0603 SERIES

Part Number 品名	Inductance (nH) 电感值	Q (min) 品质因数	Test freq (MHz) 测试频率	DCR (mΩ) (max) 直流阻抗	SRF (MHz) (min) 自谐频率	IDC (mA) (max) 额定电流	Type 型式	Packing reel 包装数
SFAC0603R3N9	3.9 ± 10%	80	300	3	>3000	950	0306L-A	4000
SFAC0603R4N7	4.7 ± 10%	80	300	3.6	>3000	900	0306L-A	4000
SFAC0603R5N6	5.6 ± 10%	80	300	3.8	>3000	950	0306L-B	4000
SFAC0603R6N8	6.8 ± 10%	80	300	4.5	>3000	900	0306L-B	4000
SFAC0603R8N2	8.2 ± 10%	80	300	5.3	>3000	840	0306L-A	4000
SFAC0603R010	10 ± 10%	70	300	6.9	>3000	600	0306L-A	4000
SFAC0603R012	12 ± 10%	70	300	8.3	>3000	600	0306L-B	4000
SFAC0603R015	15 ± 10%	70	300	11.5	2500	500	0306L-B	4000
SFAC0603R018	18 ± 10%	70	300	12.8	2500	500	0306L-A	4000
SFAC0603R022	22 ± 10%	70	300	11.3	2400	550	0306L-B	4000
SFAC0603R027	27 ± 10%	70	300	17	1600	500	0306L-B	4000
SFAC0603R033	33 ± 10%	70	300	26.9	1600	320	0306L-A	4000
SFAC0603R039	39 ± 10%	70	300	30.7	1500	320	0306L-A	4000
SFAC0603R047	47 ± 10%	70	300	34.5	1500	320	0306L-B	4000
SFAC0603R056	56 ± 10%	70	300	38.4	1300	320	0306L-B	4000

SFAC0805 SERIES

Part Number 品名	Inductance (nH) 电感值	Q (min) 品质因数	Test freq (MHz) 测试频率	DCR (mΩ) (max) 直流阻抗	SRF (MHz) (min) 自谐频率	IDC (mA) (max) 额定电流	Type 型式	Packing reel 包装数
SFAC0805R3N9	3.9 ± 10%	80	300	2.6	>3000	1200	0805L-A	4000
SFAC0805R4N7	4.7 ± 10%	80	300	3.6	>3000	900	0805L-A	4000
SFAC0805R5N6	5.6 ± 10%	80	300	3.7	>3000	950	0805L-B	4000
SFAC0805R6N8	6.8 ± 10%	80	300	4.5	>3000	900	0805L-A	4000
SFAC0805R8N2	8.2 ± 10%	80	300	5.3	>3000	840	0805L-A	4000
SFAC0805R010	10 ± 10%	70	300	5.4	>3000	900	0805L-B	4000
SFAC0805R012	12 ± 10%	70	300	6.3	>3000	900	0805L-B	4000
SFAC0805R015	15 ± 10%	70	300	7.2	2500	900	0805L-B	4000
SFAC0805R018	18 ± 10%	70	300	12.5	2500	500	0805L-A	4000
SFAC0805R022	22 ± 10%	70	300	12.9	2400	550	0805L-A	4000
SFAC0805R027	27 ± 10%	70	300	14.5	1600	550	0805L-B	4000
SFAC0805R033	33 ± 10%	70	300	18.7	1600	500	0805L-B	4000
SFAC0805R039	39 ± 10%	70	300	25.7	1500	380	0805L-B	4000
SFAC0805R047	47 ± 10%	70	300	34.5	1500	320	0805L-A	4000
SFAC0805R056	56 ± 10%	70	300	38.4	1300	320	0805L-A	4000
SFAC0805R068	68 ± 10%	70	300	42.2	1300	320	0805L-B	4000