



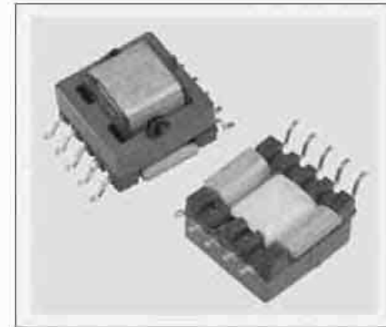
### SMD Current Sense Transformer EF12.6 Series

●Features:

- 1、 Height:10.2mm Max
- 2、 Footprint:19.9mm\*14.5mm Max
- 3、 Current Rating: up to 35A
- 4、 Frequency Range: 50kHz to 500KHz
- 5、 Low primary DCR
- 6、 RoHS compliant

●Application:

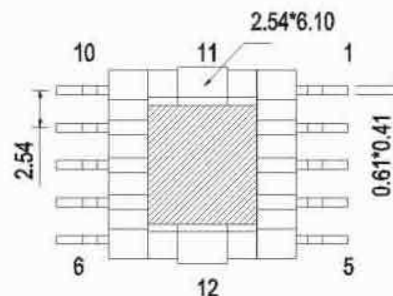
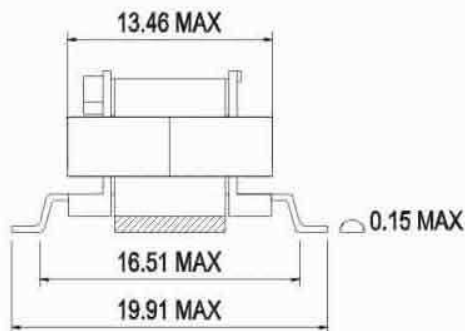
- 1、 Precise current measurement in instrumentation
- 2、 High reliability equipment
- 3、 Electronic systems application: SMPS
  - a: Control
  - b: Circuit-protection
  - c: Monitoring



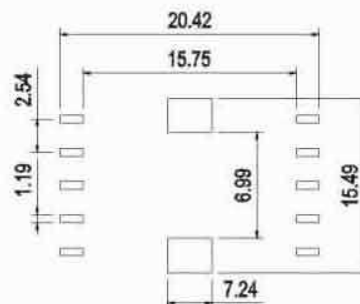
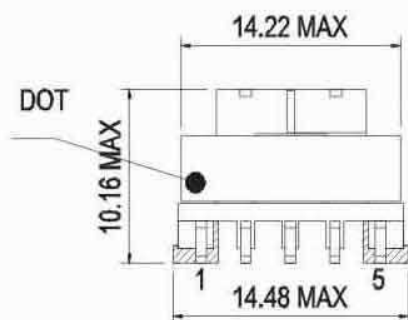
●Part Numbering System (品名规格)

EF	1 2 · 6	—	1 5 2	—	R	—	T2
1	2		3		4		
SERIES NAME	DIMENSIONS		INDUCTANCE		PACKING CODE		
					R: Tape & Reel (卷装) B: In Bulk (散装)		S: series (系列品) T: (特殊品)
品名	尺寸		电感值		包装		

●SHAPES AND DIMENSIONS (形状及尺寸) Unit:In.(mm)



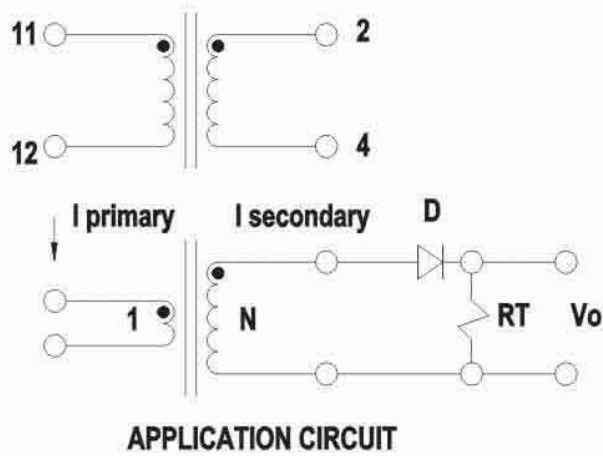
(BOTTOM VIEW)



RECOMMENDED PAD LAYOUT



**Schematic:**



**Notes:**

- <1>All dimensions are in mm
- <2>OCL Tested at 10kHz,0.1Vrms
- <3>Coplanarity:0.006inches(0.15mm MAX)
- <4>Tape reel packing:EIA-481 Standard
- <5>Terminal finish compliant to RoHS Requirements. Solder in accordance with J-STD-020C

**SPECIFICATION TABLE**

FenFa Part Number	Turns Ratio ( $\pm 2\%$ )	OCL(2-4)mH (MIN)	DCR(2-4) $\Omega$ (TYP)	DCR(11-12)m $\Omega$ (TYP)	Hi-pot Vrms
EF12.6-152-R-T2	1:50	1.5	0.65	0.28	500
EF12.6-222-R-T2	1:60	2.2	0.80	0.28	500
EF12.6-602-R-T2	1:100	6.0	2.00	0.28	500
EF12.6-103-R-T2	1:125	10.0	4.50	0.28	500
EF12.6-253-R-T2	1:200	25.0	15.00	0.28	500

**Electrical Specifications @ 25°C-Operating Temperature -40°C to +125°C**

<1>The temperature of component( ambient temperature pulse temper-ature rise)

