



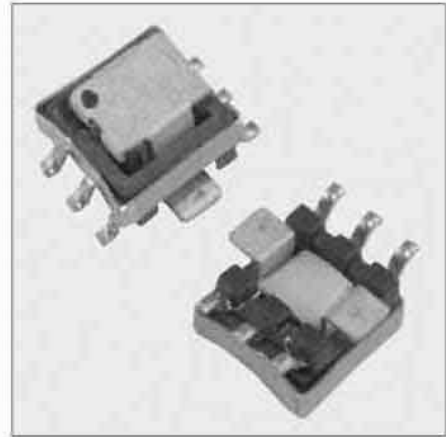
SMD Current Sense Transformer EE5.0-4 Series

●Features:

- 1、Height:5.1mm NOM (5.3mm Max)
- 2、Footprint:8.4mm*7.2mm Max
- 3、Current Rating: up to 10A
- 4、Frequency Range: 50kHz to 1MHz
- 5、Low primary DCR
- 6、RoHS compliant

●Application:

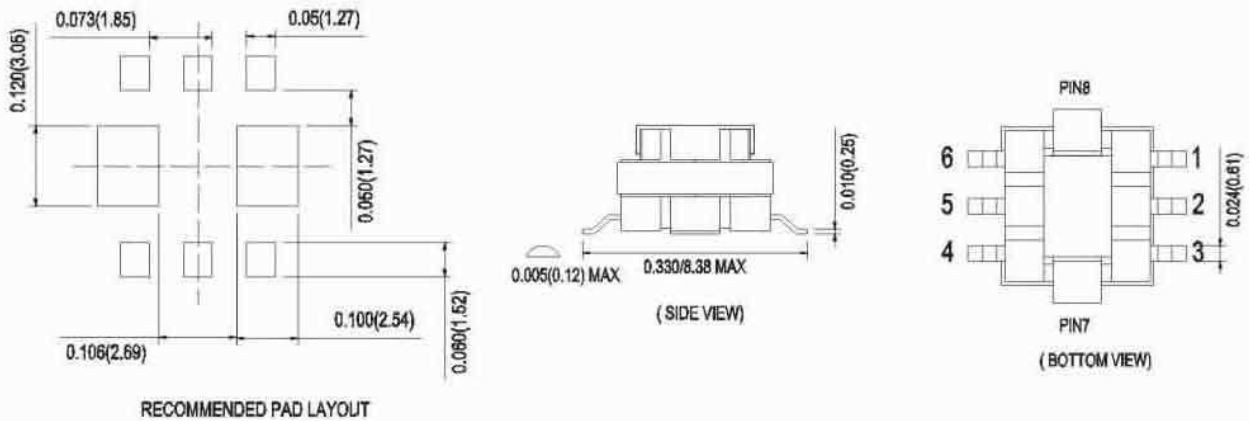
- 1、Precise current measurement in instrumentation
- 2、High reliability equipment
- 3、Electronic systems application: SMPS
 - a: Control
 - b: Circuit-protection
 - c: Monitoring



●Part Numbering System (品名规格)

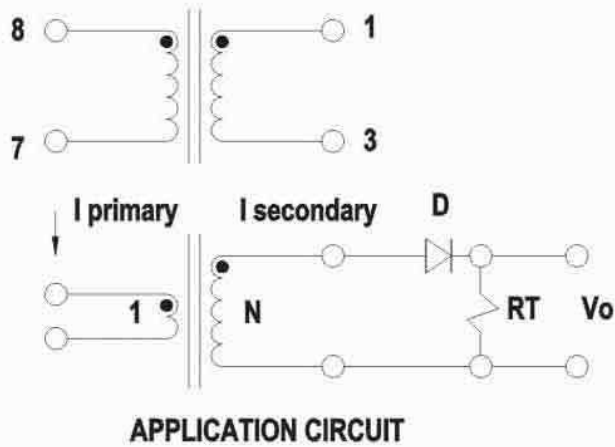
EE	5 . 0	0 8 0	R	T5
1	2	3	4	
SERIES NAME	DIMENSIONS	INDUCTANCE	PACKING	
品名	尺寸	电感值	包装	
			R:Tape&Ree (卷装) B:In Bulk (散装)	S:series(系列品) T (特殊品)

●SHAPES AND DIMENSIONS (形状及尺寸) Unit:In.(mm)





Schematic:



Notes:

- <1>All dimensions are in Inches(mm)
- <2>OCL Tested at 10kHz,0.1Vrms
- <3>Coplanarity:0.005inches(0.12mm MAX)
- <4>Tape reel packing:EIA-481 Standard
- <5>Terminal finish compliant to RoHS Requirements. Solder in accordance with J-STD-020C

SPECIFICATION TABLE

FenFa Part Number	Turns Ratio ($\pm 2\%$)	OCL(1-3)mH (MIN)	DCR(1-3)m Ω (MAX)	DCR(8-7)m Ω (MAX)	Hi-pot Vrms
EE5.0-080-R-T5	1:20	0.080	550	1.2	500
EE5.0-181-R-T5	1:30	0.180	870	1.2	500
EE5.0-321-R-T5	1:40	0.320	1140	1.2	500
EE5.0-501-R-T5	1:50	0.500	1500	1.2	500
EE5.0-721-R-T5	1:60	0.720	2250	1.2	500
EE5.0-981-R-T5	1:70	0.980	4750	1.2	500
EE5.0-202-R-T5	1:100	2.000	5500	1.2	500
EE5.0-302-R-T5	1:125	3.000	6500	1.2	500

Electrical Specifications@25°C-Operating Temperature -40°C to +125°C

<1>The temperature of component(ambient temperature pulse temper-ature rise)