



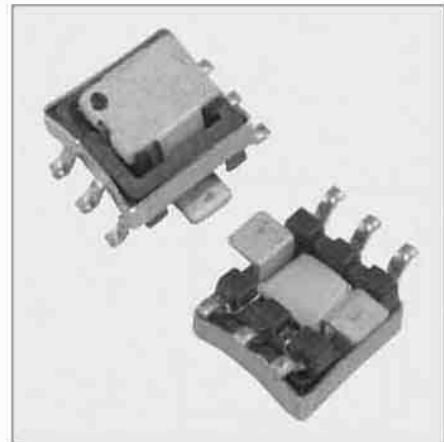
### SMD Current Sense Transformer EE5.0-3 Series

#### ● Features:

- 1、Height:5.1mm NOM ( 5.3mm Max )
- 2、Footprint:8.4mm\*7.2mm Max
- 3、Current Rating: up to 6A
- 4、Frequency Range: 50kHz to 1MHz
- 5、Low primary DCR
- 6、RoHS compliant

#### ● Application:

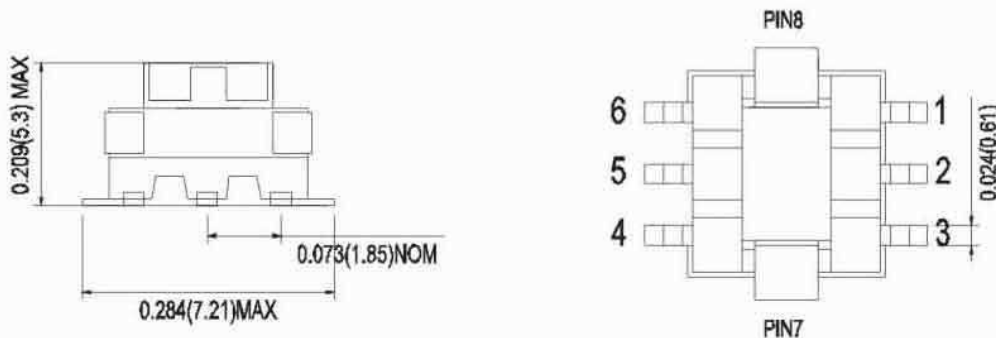
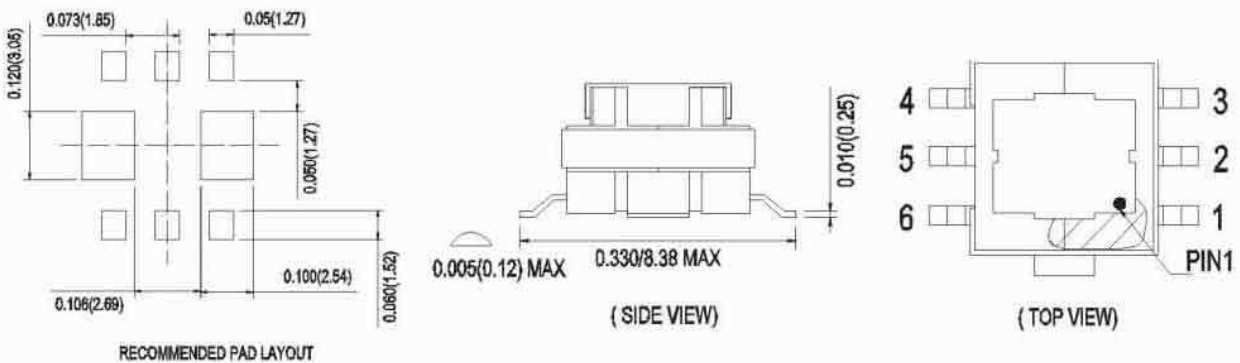
- 1、Precise current measurement in instrumentation
- 2、High reliability equipment
- 3、Electronic systems application: SMPS
  - a: Control
  - b: Circuit-protection
  - c: Monitoring



#### ● Part Numbering System ( 品名规格 )

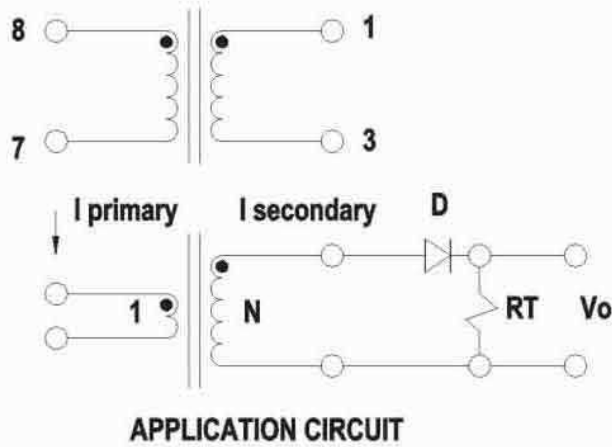
<b>EE</b>	<b>5 · 0</b>	<b>— 080</b>	<b>— R</b>	<b>— T4</b>
1	2	3	4	
SERIES NAME	DIMENSIONS	INDUCTANCE	PACKING	S:series(系列品) T:特殊品
品名	尺寸	电感值	包装 R:Tape&Ree ( 卷装 ) B:In Bulk ( 散装 )	

#### ● SHAPES AND DIMENSIONS ( 形状及尺寸 ) Unit:In.(mm)





### Schematic:



### Notes:

- <1>All dimensions are in Inches(mm)
- <2>OCL Tested at 10kHz,0.1Vrms
- <3>Coplanarity:0.005inches(0.12mm MAX)
- <4>Tape reel packing:EIA-481 Standard
- <5>Terminal finish compliant to RoHS Requirements. Solder in accordance with J-STD-020C

### SPECIFICATION TABLE

FenFa Part Number	Turns Ratio ( $\pm 2\%$ )	OCL(1-3)mH (MIN)	DCR(1-3)m $\Omega$ (MAX)	DCR(8-7)m $\Omega$ (MAX)	Hi-pot Vrms
EE5.0-080-R-T4	1:20	0.080	550	1.2	500
EE5.0-181-R-T4	1:30	0.180	870	1.2	500
EE5.0-321-R-T4	1:40	0.320	1140	1.2	500
EE5.0-501-R-T4	1:50	0.500	1500	1.2	500
EE5.0-721-R-T4	1:60	0.720	2250	1.2	500
EE5.0-981-R-T4	1:70	0.980	4750	1.2	500
EE5.0-202-R-T4	1:100	2.000	5500	1.2	500
EE5.0-302-R-T4	1:125	3.000	6500	1.2	500

### Electrical Specifications@ 25°C-Operating Temperature -40°C to +125°C

<1>The temperature of component( ambient temperature pulse temper-ature rise)