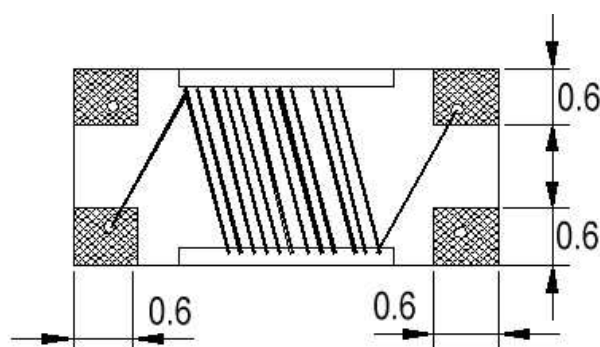
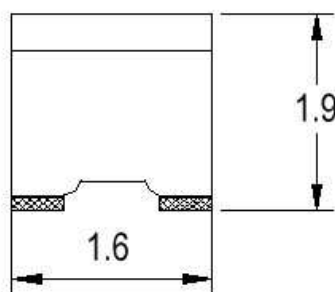
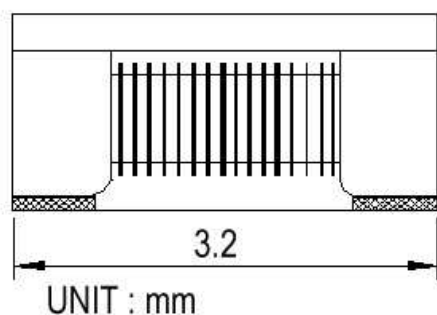


SMD Power Inductors SFW3216 Series



SFW2012/3216/3225 realizes small size and low profile. high common mode impedance at high suppression performance. suitable for differential signal line like USB2.0, IEEE1394 and LVDS. lead is not contained in the product.

Mainly used by common mode noise suppression of signal lines in high speed and high density digital equipment such as personal computers and peripherals. ideal for use as common-mode chokes for USB1.1 USB2.0/IEEE1394 interface



Part Number	Common-Mode Impedance $Z(\Omega)$ at 100MHz	Resistance $R_{dc}(\Omega)$ max	Rated current $I_{dc}(mA)$ max	Rated Voltage $V_{dc}(V)$	Withstanding Voltage $V_{dc}(V)$	Insulation Resistance $(M\Omega)$ min
SFW3216F-670-2P-T	90±25%	0.3	370	50	125	10
SFW3216F-900-2P-T	160±25%	0.4	340	50	125	10
SFW3216F-121-2P-T	260±25%	0.5	310	50	125	10
SFW3216F-181-2P-T	600±25%	0.8	260	50	125	10
SFW3216F-261-2P-T	1000±25%	1.0	230	50	125	10
SFW3216F-371-2P-T	2200±25%	1.2	200	50	125	10

Special inquiries besides the above common used types can be met on your requirement.

1. Inductance tested at 100KHz, 0.1V;
2. $SRF > 13MHz$ measured using Agilent / HP8753D network Analyzer;
3. Inductance drop = 10% typ at rated I_{sat} ;
4. $\Delta T = 40^\circ C$ rise typ. at I_{rms} ;
5. Operating temperature range $-40^\circ C$ to $+125^\circ C$;
6. Electrical specifications at $+25^\circ C$;

FENFA ELECTRONICS LTD.

Address: Rm 621, 6/F., Shing Yip Industrial Building,
19-21 Shing Yip Street, Kwun Tong, Hong Kong
Tel: (852) 2372 0880, Fax: (852) 2372 0131
E-mail: sales@coilsfenfa.com

<http://www.coilsfenfa.com>
fenfa@coilsfenfa.com

FENFA ELECTRONICS (DONGGUAN) CO., LTD.

Address: Xiakeng Industrial District, Changping Town,
Dongguan City, Guangdong, China
Tel: 86-769-86291668 Fax: 86-769-83999028
Hot line: 86-769-89112128 E-mail: fenfa@coilsfenfa.com