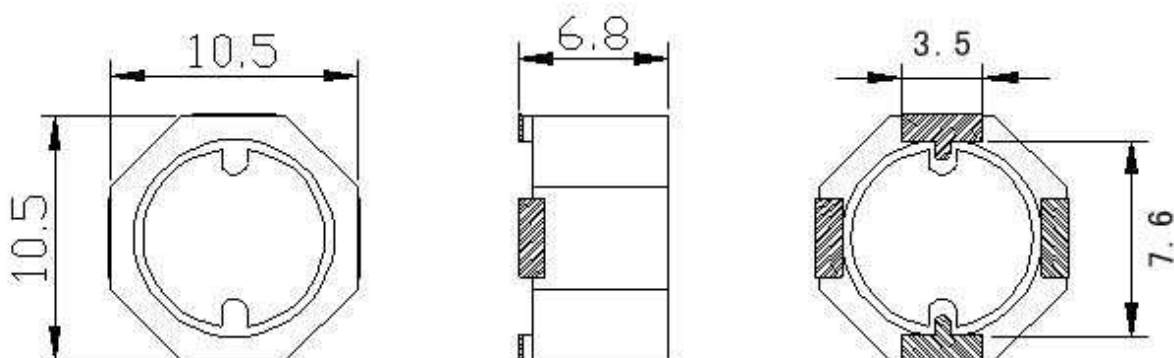


SMD Power Inductors SFM106Y Series

SFM106Y Series ,Various high power inductors .high saturation and low DC resistance for surface mounting.

Mainly used by LCD Driver,DSC/DVC,Notebook PC or DC/DC Converter.



1. Inductance tested at 100KHz,0.1V;
2. SRF>13MHz measured using Agilent / HP8753D network Analyzer;
3. Inductance drop = 10% typ. at rated Isat;
4. $\Delta T=40^{\circ}\text{C}$ rise typ. at Irms;
5. Operating temperature range -40°C to $+125^{\circ}\text{C}$;
6. Electrical specifications at $+25^{\circ}\text{C}$;

Packing :
Reel size: 24 mm
Quantity: 500PCS/Reel

PART NO	L(uH)	DCR max (mΩ)	IDC max (A)	TEST FREQ. (Hz)
SFM106Y-4R7N	4.7	14.0	5.7	100KHz/0.1V
SFM106Y-220N	22.0	60.0	3.2	100KHz/0.1V

Special inquiries besides the above common used types can be met on your requirement.

FENFA ELECTRONICS LTD.

Address: Rm 621, 6/F., Shing Yip Industrial Building,
19-21 Shing Yip Street, Kwun Tong, Hong Kong
Tel: (852) 2372 0880, Fax: (852) 2372 0131
E-mail: sales@coilsfenfa.com

<http://www.coilsfenfa.com>
fenfa@coilsfenfa.com

FENFA ELECTRONICS (DONGGUAN) CO., LTD.

Address: Xiakeng Industrial District, Changping Town,
Dongguan City, Guangdong, China
Tel: 86-769-86291668 Fax: 86-769-83999028
Hot line: 86-769-89112128 E-mail: fenfa@coilsfenfa.com