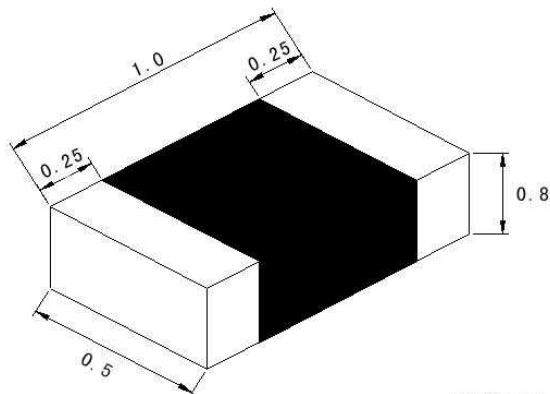


## Ferrite Chip Inductors FC1005(0402)



FC1005(0402) Series ,Monolithic inorganic material construction.Closed magnetic circuit avoids crosstalk.S.M.T.type.Suitable for flow and reflow soldering.Shapes and dimensions follow E.I.A.Spec..Available in various sizes.Excellent solderability and heat resistance.High reliability.



UNIT: mm

PART NO	L(uH)	DCR max (mΩ)	IDC max (A)	TEST FREQ. (Hz)
FC1005-47N	0.047	0.45	25	50
FC1005-56N	0.056	0.45	25	50
FC1005-68N	0.068	0.45	25	50
FC1005-82N	0.082	0.45	25	50
FC1005-R10	0.1	0.7	25	25
FC1005-R12	0.12	0.7	25	25
FC1005-R15	0.15	0.9	25	25
FC1005-R18	0.18	1.1	25	25
FC1005-R22	0.22	1.2	25	25
FC1005-R27	0.27	1.2	25	25
FC1005-R33	0.33	1.25	18	25
FC1005-R39	0.39	1.5	18	25
FC1005-R47	0.47	2	18	25
FC1005-R56	0.56	2.35	18	25
FC1005-R68	0.68	2.55	18	25
FC1005-R82	0.82	3.15	18	25
FC1005-1R0	1	0.9	15	10
FC1005-1R2	1.2	1.2	15	10
FC1005-1R5	1.5	1.2	15	10
FC1005-1R8	1.8	1.45	15	10
FC1005-2R2	2.2	1.75	10	10
FC1005-2R7	2.7	2	10	10
FC1005-3R3	3.3	2.35	10	10
FC1005-3R9	3.9	2.55	10	10
FC1005-4R7	4.7	3.15	10	10
FC1005-5R6	5.6	2.35	3	4
FC1005-6R8	6.8	2.55	3	4
FC1005-8R2	8.2	3.15	3	4
FC1005-100	10	3.45	2	2

Special inquiries besides the above common used types can be met on your requirement.

### FENFA ELECTRONICS LTD.

Address: Rm 621, 6/F., Shing Yip Industrial Building,  
19-21 Shing Yip Street, Kwun Tong, Hong Kong  
Tel: (852) 2372 0880, Fax: (852) 2372 0131  
E-mail: sales@coilsfenfa.com

<http://www.coilsfenfa.com>  
[fenfa@coilsfenfa.com](mailto:fenfa@coilsfenfa.com)

### FENFA ELECTRONICS (DONGGUAN) CO., LTD.

Address: Xiakeng Industrial District, Changping Town,  
Dongguan City, Guangdong, China  
Tel: 86-769-86291668 Fax: 86-769-83999028  
Hot line: 86-769-89112128 E-mail: fenfa@coilsfenfa.com