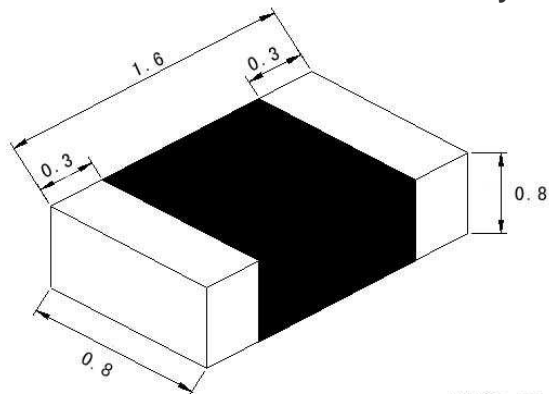


Ferrite Chip Inductors FC2012(0805)



FC2012(0805) Series ,Monolithic inorganic material construction.Closed magnetic circuit avoids crosstalk.S.M.T.type.Suitable for flow and reflow soldering.Shapes and dimensions follow E.I.A.Spec..Available in various sizes.Excellent solderability and heat resistance.High reliability.



UNIT: mm

PART NO	L(uH)	DCR max (mΩ)	IDC max (A)	TEST FREQ. (Hz)
FC1608-47N	0.047	0.30	50	50
FC1608-68N	0.068	0.30	50	50
FC1608-82N	0.082	0.30	50	50
FC1608-R10	0.10	0.50	50	25
FC1608-R12	0.12	0.50	50	25
FC1608-R15	0.15	0.60	50	25
FC1608-R18	0.18	0.60	50	25
FC1608-R22	0.22	0.80	50	25
FC1608-R27	0.27	0.80	50	25
FC1608-R33	0.33	0.85	35	25
FC1608-R39	0.39	1.00	35	25
FC1608-R47	0.47	1.35	35	25
FC1608-R56	0.56	1.55	35	25
FC1608-R68	0.68	1.70	35	25
FC1608-R82	0.82	2.10	35	25
FC1608-1R0	1.0	0.60	25	10
FC1608-1R2	1.2	0.80	25	10
FC1608-1R5	1.5	0.80	25	10
FC1608-1R8	1.8	0.95	25	10
FC1608-2R2	2.2	1.15	15	10
FC1608-2R7	2.7	1.35	15	10
FC1608-3R3	3.3	1.55	15	10
FC1608-3R9	3.9	1.70	15	10
FC1608-4R7	4.7	2.10	15	10
FC1608-5R6	5.6	1.55	15	4
FC1608-6R8	6.8	1.70	15	4
FC1608-8R2	8.2	2.10	15	4
FC1608-100	10.0	2.55	15	2
FC1608-120	12.0	2.75	15	1
FC1608-150	15.0	1.70	15	1
FC1608-180	18.0	1.85	15	1
FC1608-220	22.0	2.15	15	1
FC1608-270	27.0	2.75	15	1
FC1608-330	33.0	2.95	15	1

Special inquiries besides the above common used types can be met on your requirement.

FENFA ELECTRONICS LTD.

Address: Rm 621, 6/F., Shing Yip Industrial Building,
19-21 Shing Yip Street, Kwun Tong, Hong Kong
Tel: (852) 2372 0880, Fax: (852) 2372 0131
E-mail: sales@coilsfenfa.com

<http://www.coilsfenfa.com>
fenfa@coilsfenfa.com

FENFA ELECTRONICS (DONGGUAN) CO., LTD.

Address: Xiakeng Industrial District, Changping Town,
Dongguan City, Guangdong, China
Tel: 86-769-86291668 Fax: 86-769-83999028
Hot line: 86-769-89112128 E-mail: fenfa@coilsfenfa.com