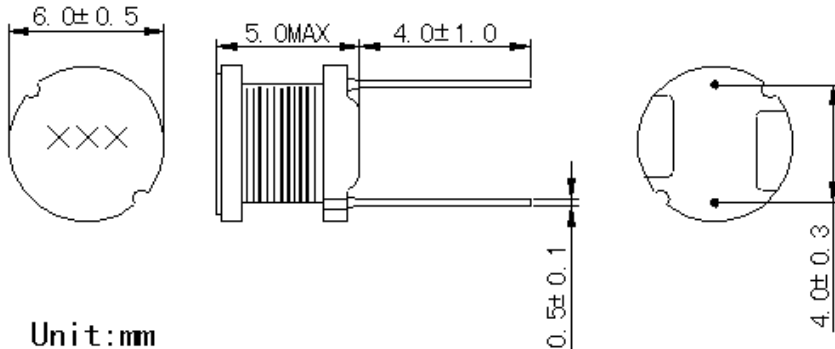


## PIN TYPE Power Inductors PP2W0605 Series



PP2W0605 Series ,Entire winding core is encapsulated in heat shrieked ul tube or magnetically shielded.to provide mechanical and environmental protection. Rugged reliability and performance. For switching power supply with high reliability. Efficiency and saturation. OA equipment choke. High current low impedance.



Unit:mm

P/N	L (uH) ±10%	DCR(mohm) MAX	Isat (A)
PP2W0605-220K	22.0	180.0	0.90
PP2W0605-270K	27.0	210.0	0.81
PP2W0605-330K	33.0	270.0	0.74
PP2W0605-390K	39.0	290.0	0.68
PP2W0605-470K	47.0	340.0	0.62
PP2W0605-560K	56	420.0	0.57
PP2W0605-680K	68	480.0	0.51
PP2W0605-820K	82	550.0	0.47
PP2W0605-101K	100	680.0	0.42
PP2W0605-121K	120	770.0	0.39
PP2W0605-151K	150	950.0	0.35
PP2W0605-181K	180	1150.0	0.32
PP2W0605-221K	220	1300.0	0.29
PP2W0605-271K	270	1550.0	0.26
PP2W0605-331K	330	2180.0	0.23
PP2W0605-391K	390	2470.0	0.21
PP2W0605-471K	470	2920.0	0.20
PP2W0605-561K	560	3970.0	0.18
PP2W0605-681K	680	4570.0	0.16
PP2W0605-821K	820	5280.0	0.15
PP2W0605-102K	1000	7060.0	0.13

1. Inductance tested at 1KHz,0.1V;
2. SRF>13MHz measured using Agilent / HP8753D network Analyzer;
3. Inductance drop = 10% typ. at rated Isat;
4. ΔT=40°C rise typ. at Irms;
5. Operating temperature range -40°C to +125°C;
6. Electrical specifications at +25°C;

In Bulk Packing

Special inquiries besides the above common used types can be met on your requirement.

### FENFA ELECTRONICS LTD.

Address: Rm 621, 6/F., Shing Yip Industrial Building,  
19-21 Shing Yip Street, Kwun Tong, Hong Kong  
Tel: (852) 2372 0880, Fax: (852) 2372 0131

<http://www.coilsfenfa.com>

[fenfa@coilsfenfa.com](mailto:fenfa@coilsfenfa.com)

### FENFA ELECTRONICS (DONGGUAN) CO., LTD.

Address: Xiakeng Industrial District, Changping Town,  
Dongguan City, Guangdong, China  
Tel: 86-769-86291668 Fax: 86-769-83999028